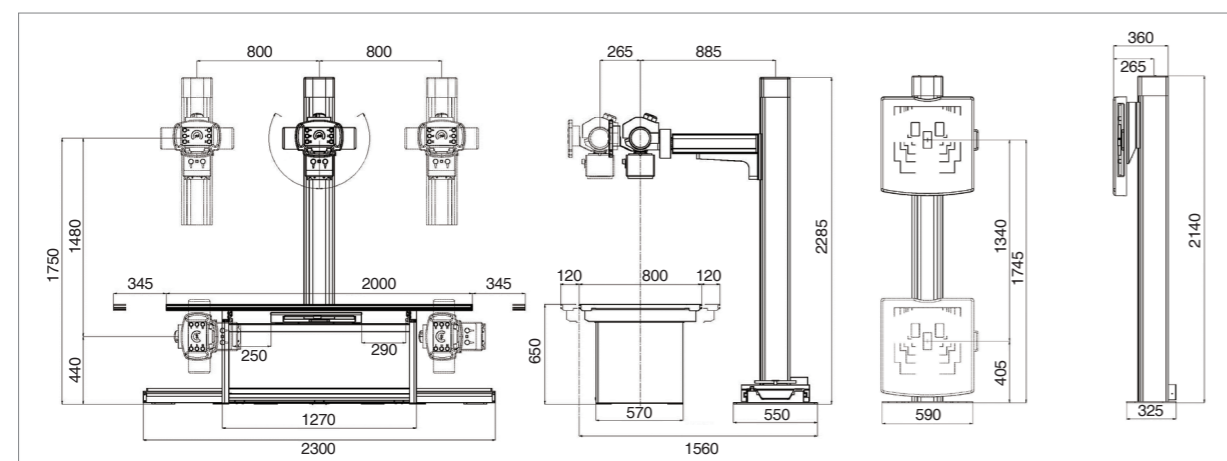


## Technical Specifications

<b>Generator</b>	Capacity	32kW	40kW	50kW
	KV Range	40~125kV	40~125kV	40~150kV
	mA Range	10~400mA	10~500mA	10~630mA
	mAs Range	0.1~630mAs	0.1~630mAs	0.1~630mAs*
	Time Range	0.001~10sec.		
	Frequency	40kHz		
	Anatomical Programming	216 APR		
<b>Tube</b>	Anode heat storage capacity	140 kHU	300 kHU	
	Focal Spots	1.0 / 2.0mm Dual	0.6 / 1.2mm	
	Target Angle	16° rotating at high speed	12°	
	Max Tube Voltage	125kV	150kV	
<b>Floor mounted Tube Stand</b>	Vertical Movement	1480mm		
	Horizontal Movement	1550mm		
	Transversal (telescopic) Movement	±265mm		
	Column Rotation	360° (±180°)		
	X-ray Tube Rotation	240° (±120°)		
<b>Floor-Ceiling mounted Tube Stand</b>	Vertical Movement	1480mm		
	Horizontal Movement	2400mm		
	Transversal (telescopic) Movement	±265mm		
	X-ray Tube Rotation	240° (±120°)		
<b>Bucky Table</b>	Type	4-Way floating wide tabletop		
	Tabletop Size	2000 x 800mm (±10%)		
	Horizontal Movement	690mm		
	Lateral Movement	240mm		
	Bucky Device Movement	520mm		
	Max. loading	200kg		
<b>Wall Bucky Stand</b>	Vertical Movement	1340mm		
<b>Power Connection</b>	Single phase, 220/230 VAC, 50/60 Hz			
<b>Option</b>	DAP (Dose Area Product) Meter			
	Digital upgrade (DR)			
	6-way elevating table			

\*800mAs optional (High Speed Rotor)



## High Frequency Conventional / Digital Radiography System

# XVISION-525



**XCOVERY Co., Ltd.**  
822, Bogwang-Ro, Gwangtan-myeon, Paju-si, Gyeonggi-do, Korea  
Tel. +82-31-906-9017(Rep.) Fax. +82-31-906-9019 E-mail. sales@xcovery.co.kr

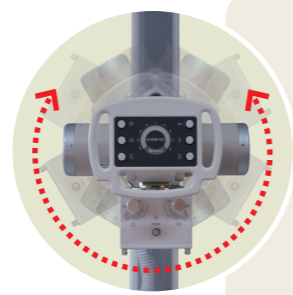


# XVISION-525

## High Frequency Conventional / Digital Radiography System

**XVISION-525** is the most efficient choice applicable both for digital and analogue environments. The digital compatible and field upgradeable system offers the most cost-effective solutions and the great versatility in any clinical environment. The high frequency xray generator and the powerful rotating anode tube with dual focal spots ensures the confident diagnosis with the optimal quality image creation for all the general radiological purposes such as traumatological, orthopedic and medical examination centers, etc. Its X-ray tube stand which freely rotates 240° and the floating table top with the large range of longitudinal and transversal movements allows the exposures from various angles and easy and fast positioning so both patients and xray staffs feel comfortable.

**Convenient,  
Efficient and  
High-performance**



240° Rotation

### Three options of Tube Stand

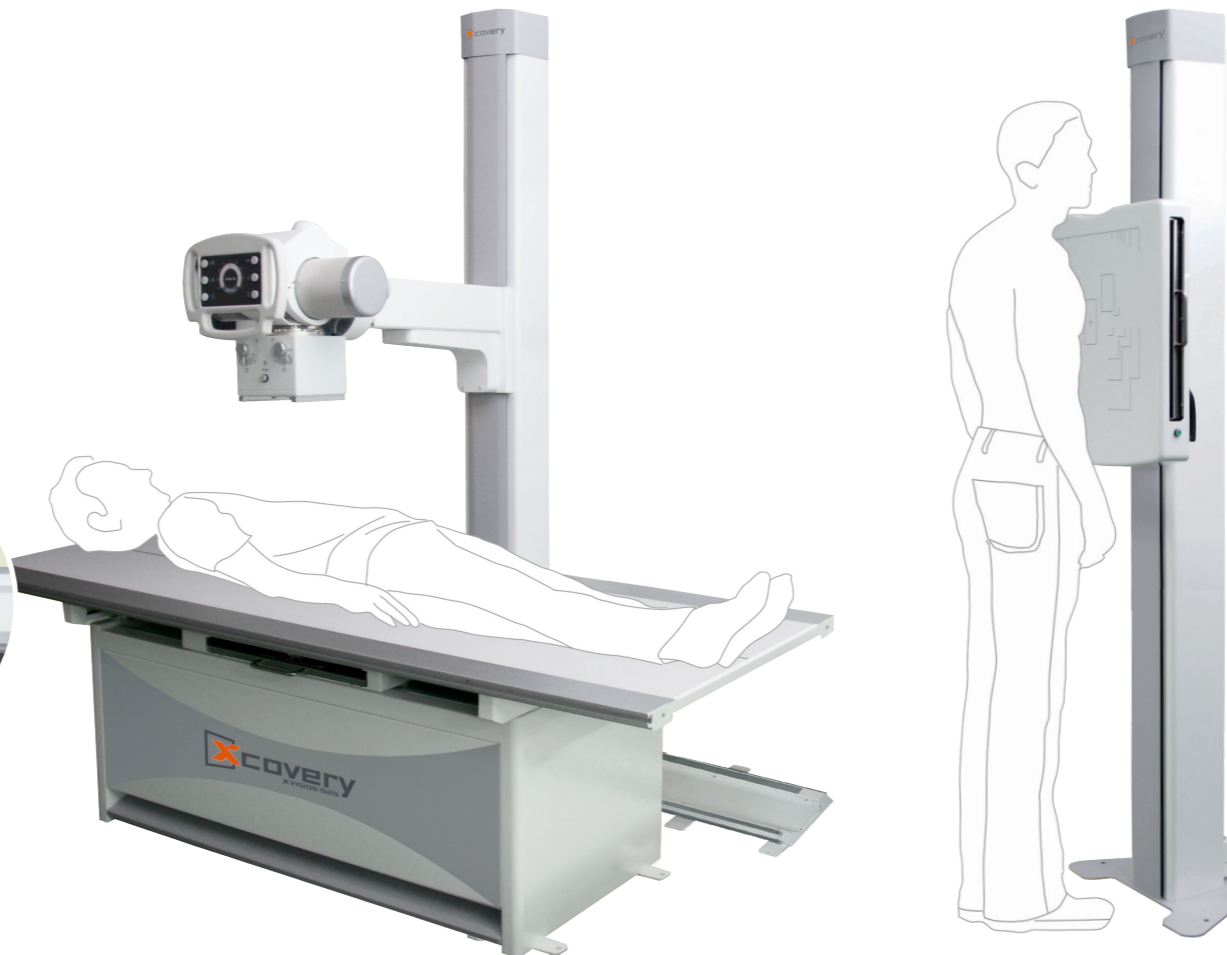
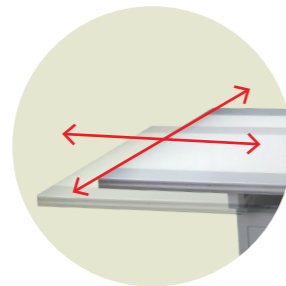


Floor-mounted Tube Stand

Floor-Ceiling mounted Tube Stand

Ceiling Suspended Tube Stand

### 4-Way Floating Wide Tabletop



DR Upgrade

### CONVENIENT

- Powerful rotating anode x-ray to pivot 240 degree which allows exposures from various angles
- Anatomical Programmed Radiography (APR) for optimized image quality at low dose
- Intuitive and user-friendly control console
- Self-diagnostic circuit and error codes display
- One touch buttons for fast positioning and exposure

### EFFICIENT

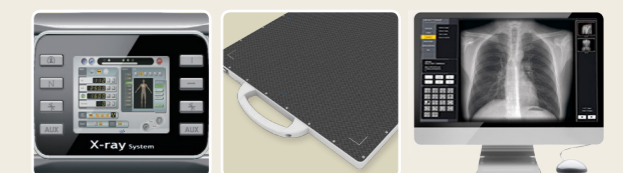
- Outstanding image quality for faster and more confident diagnosis
- Ergonomic and robust design for safer and more accurate positioning
- Dual focal spot tube for thin / large part
- Smooth movement of tube stand and bucky devices
- Electro-magnetic lock system for patient safety

### HIGH PERFORMANCE

- Superb image quality with high frequency xray generator
- DR Ready – integration ideal for both conventional and digital applications
- Specialized mounting hardware for different digital panels is available upon request.
- DICOM / PACS connectivity as well as the independent image archiving.

### DIGITAL RETROFIT / UPGRADE

- High quality digital images at an affordable cost
- 17"x17" cassette-sized or any customized, wired & wireless detector
- Long battery life and speedy data transmission in gigabits



#### Option 1: Economical choice

Single Detector : Sharable for wall stand and table

#### Option 2: Choice for high productivity

Dual Detector : Each for wall stand and table